



Proj: Current Defense - DFA

Type:  
UHX-150-MP-50K-SR

## UHX SERIES INDUSTRIAL LIGHTING

**WESTGATE**  
THE FUTURE IS HERE...AND IT'S QUITE BRIGHT!

UHX-150W-MP-40K-SR

UHX-150W-MP-50K-SR

Customer Name: \_\_\_\_\_

Project Name: \_\_\_\_\_

Note: \_\_\_\_\_

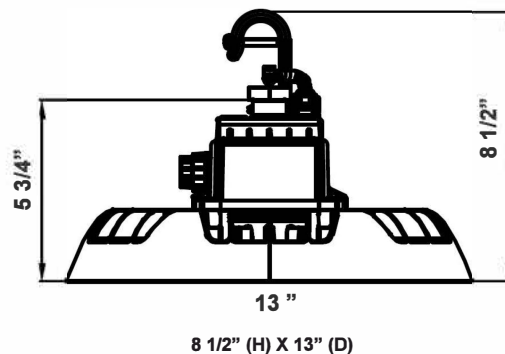
Type: \_\_\_\_\_



Selection:



In a aluminium shell designed for heat dissipation, UHX is IP65 water resistant rated and ideal for general site lighting, alleys, loading docks, doorways, pathways, parking areas, warehouses and storage buildings.



## Features

- Waterproof Design, Suitable For Wet Locations
- ADC12 Aluminum Heat Sink, Outdoor Powder Coating Finish
- Sensor Ready
- Optical Lens: PC Materials High Light Transmittance, Anti-UV, Fire-Resistant

## Technical Specifications

### Electrical:

- Input Wattage: 50W/80W/100W/150W
- Input Voltage: 120-277V AC 50/60Hz
- Power Factor: >0.9
- THD: <20%
- Efficacy: 160/150/145/140 LPW

### Mechanical:

- ADC12 Aluminum Heat Sink, Outdoor Powder Coating Finish
- Optical Lens: PC Materials High Light Transmittance, Anti-UV, Fire-Resistant
- Twist-Lock Zhaga Socket Pre-Installed. See Motion Sensor Accessories
- 3' SJTW 18,3 AWG Power Cable
- 6' SJTW Dimming Cable
- LED: LUMILEDS 2835
- LED PCB Board: High Conductive, Waterproof, Aging Resistance, salt mist Resistance, Ensure the Safety and Long Lifespan
- Operating temperature: -40°F to 122°F
- IP rating: IP65, Wet Locations
- 5-Year Warranty

### Lighting:

- Dimming: 0~10V
- Multi Power (Selectable Switch Located On The Driver Housing)
- Total Lumens: 8000/12000/14500/21000LM
- Color Temperatures: 4000K/ 5000K
- Color Rendering index: > 80
- Beam Angle: 110°
- Lifespan: 50,000 Hrs

### Applications:

- Ideal for general site lighting, alleys, loading docks, doorway, pathway, parking areas, warehouses and storage buildings.



Phone: (877) 805-2252 | Fax: (877) 805-2252  
www.westgatemfg.com |



WG-02092022